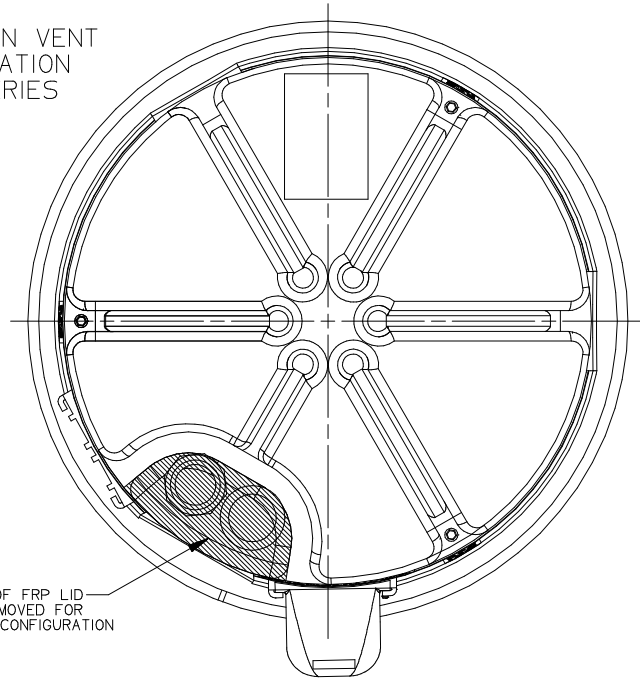
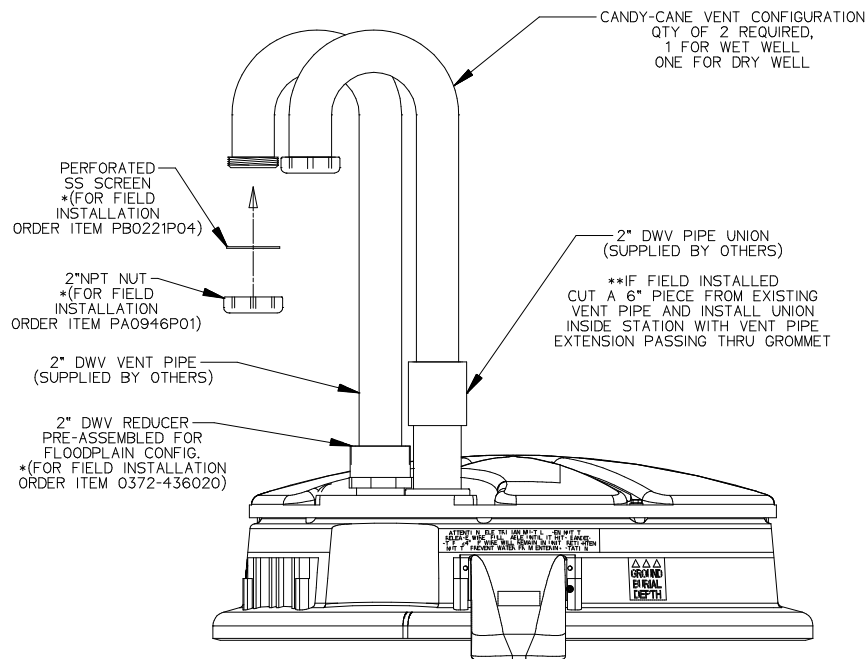


FLOOD PLAIN VENT
CONFIGURATION
2000 SERIES



PORTION OF FRP LID
TO BE REMOVED FOR
FLOOD PLAIN CONFIGURATION



FIELD INSTALLED FLOOD PLAIN INSTRUCTIONS

FOR CONVERTING A STD LID
TO A FLOOD PLAIN LID IN THE FIELD

1. USING A JIGSAW, SAWZ-ALL, OR EQUIV. CUT AWAY THE PORTION OF THE FRP LID THAT IS OVER THE VENT HUBS, SAND THE EDGES

DRY WELL VENT:

2. THREAD THE HUB THAT DOESN'T HAVE A GROMMET, INSTALLED, 2" NPT
3. INSTALL MALE ADAPTER
4. USING PVC PRIMER & CEMENT GLUE THE CANDY-CANE PIPE INTO THE MALE ADAPTER

WET WELL VENT:

5. CUT OFF 6" FROM THE TOP OF THE EXISTING VENT PIPE AND DISCARD
6. PUSH THE CANDY-CANE PIPE INTO THE EXISTING GROMMET
7. CONNECT THE EXISTING VENT PIPE AND THE CANDY-CANE VENT PIPE WITH A UNION, INSIDE THE STATION
8. INSTALL PERFORATED SS SCREEN AND NUT IF DESIRED.